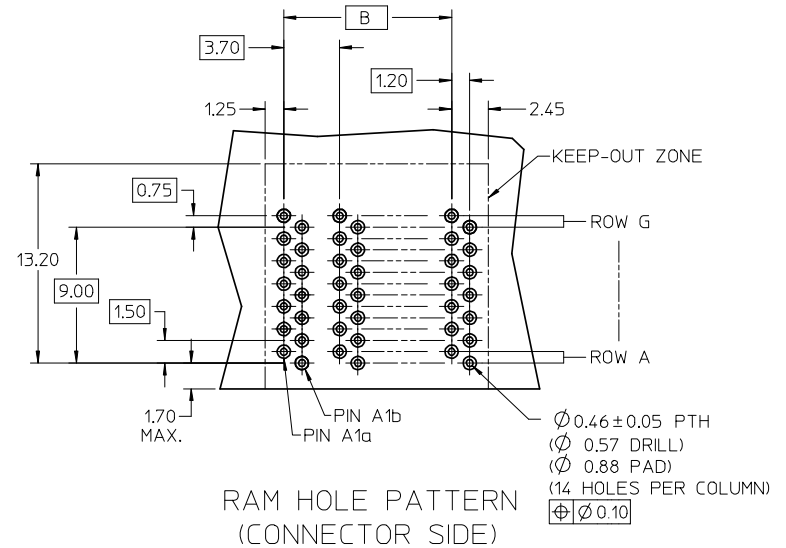
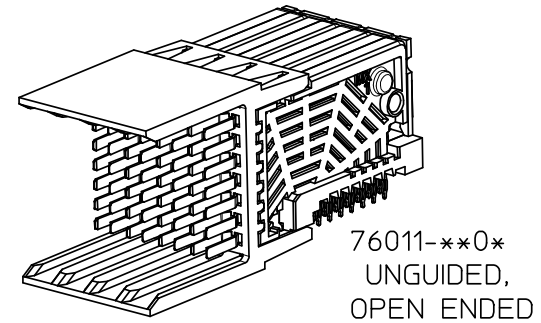
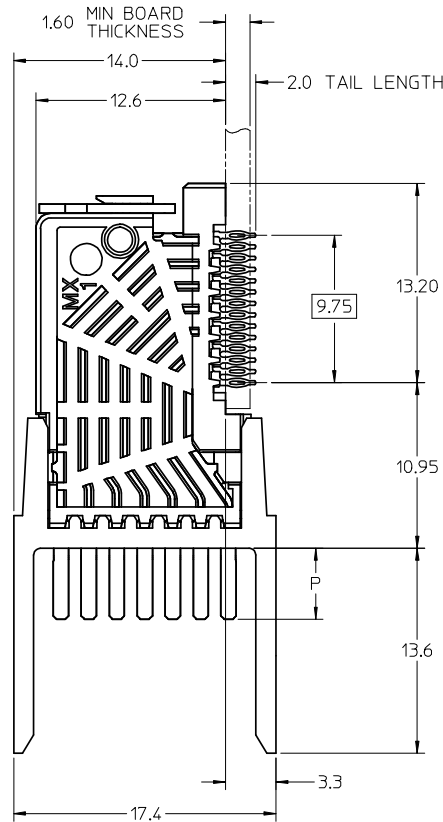
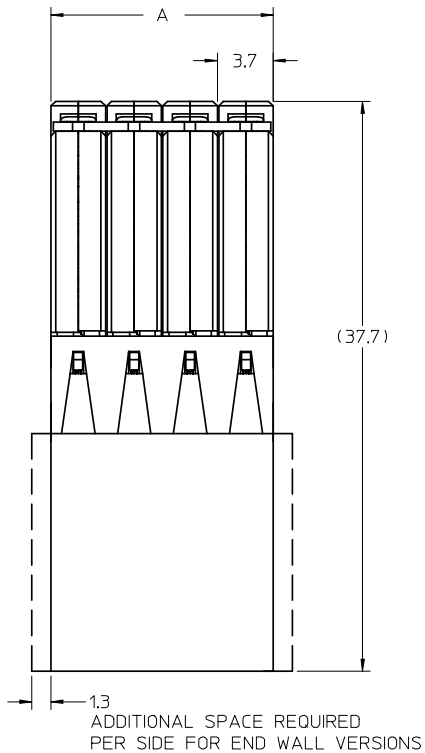
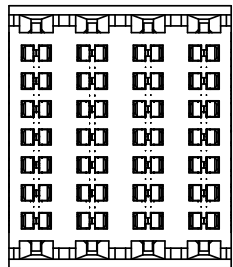


PART NUMBER	# OF COLUMNS	DIM "A" MAX	DIM "B"
76011 - *6**	6	22.20	18.50
76011 - *1**	10	37.00	33.30



NOTES:

1. MATERIALS: HOUSING - LIQUID CRYSTAL POLYMER (LCP), BLACK, UL 94V-0
TERMINALS - HIGH PERFORMANCE COPPER ALLOY
2. FINISH: SELECTIVE 30 μ * GOLD IN CONTACT AREA WITH LUBE.
SELECTIVE TIN/LEAD (-0***) OR SELECTIVE TIN (-1***)
ON PCB TAILS. NICKEL UNDERPLATE OVERALL.
3. MOLEX PRODUCT SPECIFICATION: PS-75710-999.
4. THIS PART CONFORMS TO CLASS B REQUIREMENTS OF COSMETIC SPEC PS-45499-002.
5. PACKAGED PER PK-70873-588.



CLARIFY ST GRD EC NO: UCP2008-2982 DRAWN: C STEWART 2008/06/11 CHKD: TELO 2008/06/11 APPR: J BINGHAM 2008/06/11	QUALITY SYMBOLS ▽=0 ▽=0	GENERAL TOLERANCES (UNLESS SPECIFIED)		DIMENSION STYLE MM ONLY		SCALE 4:1	DESIGN UNITS METRIC	THIRD ANGLE PROJECTION	
		4 PLACES ± ---	± ---	DRAWN BY ELO	DATE 2006/11/13	TITLE I-TRAC 7-ROW RIGHT ANGLE MALE OPEN ASSEMBLY	molex MOLEX INCORPORATED	DOCUMENT NO. SD-76011-001	SHEET NO. 1 OF 3
3 PLACES ± ---	± ---	CHECKED BY ELO	DATE 2007/02/02	APPROVED BY CBIXLER		MATERIAL NO. SEE CHART			
2 PLACES ± 0.25	± ---	DATE 2007/02/02	ANGULAR ± ---°		DRAFT WHERE APPLICABLE MUST REMAIN WITHIN DIMENSIONS		SIZE C		
1 PLACE ± 0.13	± ---								

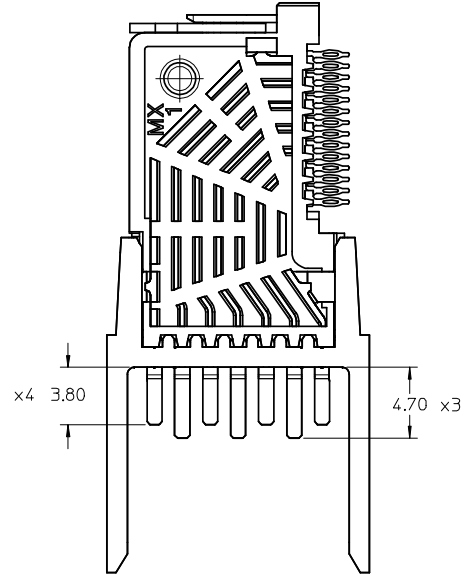
7 6 0 1 1 - * * * *

MODULE TYPE -- TAIL PLATING TYPE
 0 = UNGUIDED - TIN/LEAD
 1 = UNGUIDED - TIN ONLY

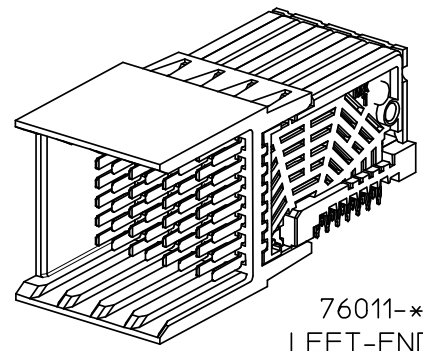
OF COLUMNS
 6 = 6 COL
 1 = 10 COL

ORIENTATION
 GUIDE POST
 0 = OPEN ENDED
 1 = LEFT-END WALL
 2 = RIGHT-END WALL
 3 = DUAL-END WALL

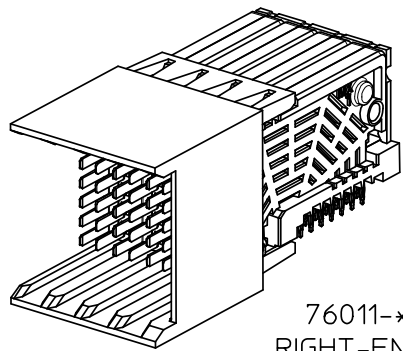
PIN LENGTH (P)
 3 = 4.70
 5 = 3.80, 4.70 STAGGERED



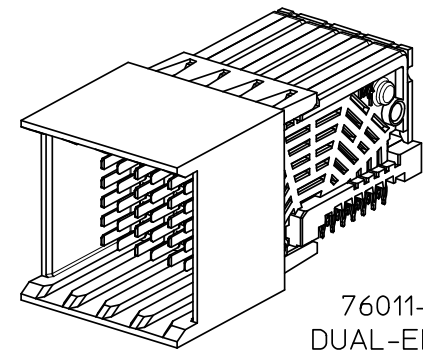
STAGGERED PIN OPTION
(76011-***5)



76011-**1*
LEFT-END WALL



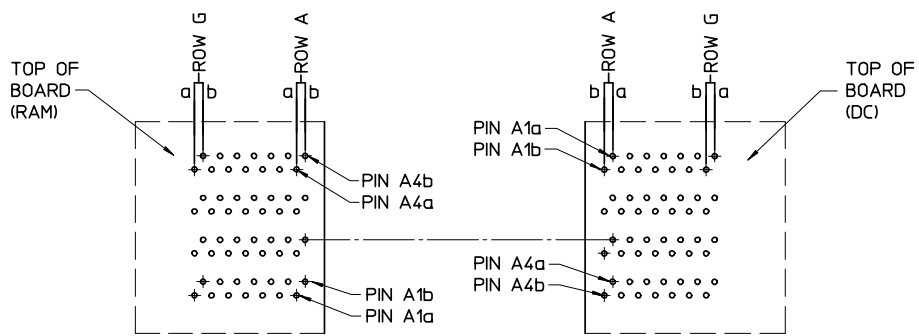
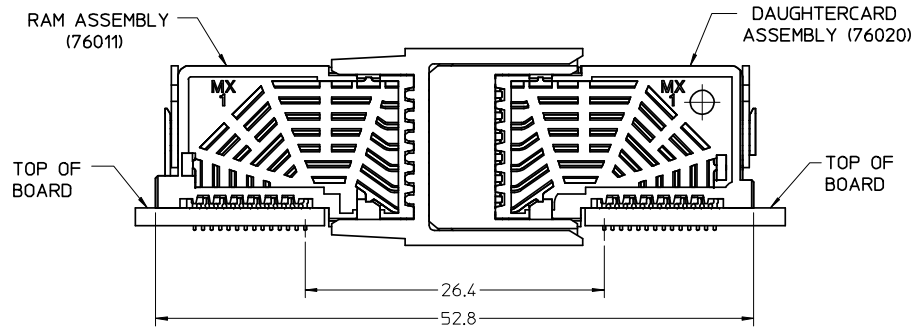
76011-**2*
RIGHT-END WALL



76011-**3*
DUAL-END WALL

REM OPT 76011-***6 EC NO: UCP2008-2982 DRW: C STEWART 2008/06/11 CHKD: TELO 2008/06/11 APPR: J B INGHAM 2008/06/11	QUALITY SYMBOLS	GENERAL TOLERANCES (UNLESS SPECIFIED)	DIMENSION STYLE	SCALE	DESIGN UNITS	THIRD ANGLE PROJECTION															
	▽=0 ▽=0	<table border="1"> <tr><th colspan="2">mm</th><th>INCH</th></tr> <tr><td>4 PLACES</td><td>± ---</td><td>± ---</td></tr> <tr><td>3 PLACES</td><td>± ---</td><td>± ---</td></tr> <tr><td>2 PLACES</td><td>± 0.25</td><td>± ---</td></tr> <tr><td>1 PLACE</td><td>± 0.13</td><td>± ---</td></tr> </table>	mm		INCH	4 PLACES	± ---	± ---	3 PLACES	± ---	± ---	2 PLACES	± 0.25	± ---	1 PLACE	± 0.13	± ---	MM ONLY	4:1	METRIC	<input checked="" type="checkbox"/> THIRD ANGLE PROJECTION
	mm		INCH																		
	4 PLACES	± ---	± ---																		
3 PLACES	± ---	± ---																			
2 PLACES	± 0.25	± ---																			
1 PLACE	± 0.13	± ---																			
DESCRIPTION	DRAFT WHERE APPLICABLE MUST REMAIN WITHIN DIMENSIONS	<table border="1"> <tr><td>DRAWN BY</td><td>DATE</td></tr> <tr><td>ELO</td><td>2006/11/13</td></tr> <tr><td>CHECKED BY</td><td>DATE</td></tr> <tr><td>ELO</td><td>2007/02/02</td></tr> <tr><td>APPROVED BY</td><td>DATE</td></tr> <tr><td>CBIXLER</td><td>2007/02/02</td></tr> </table>	DRAWN BY	DATE	ELO	2006/11/13	CHECKED BY	DATE	ELO	2007/02/02	APPROVED BY	DATE	CBIXLER	2007/02/02	TITLE I-TRAC 7-ROW RIGHT ANGLE MALE OPEN ASSEMBLY		<input checked="" type="checkbox"/> THIRD ANGLE PROJECTION				
DRAWN BY	DATE																				
ELO	2006/11/13																				
CHECKED BY	DATE																				
ELO	2007/02/02																				
APPROVED BY	DATE																				
CBIXLER	2007/02/02																				
REV		ANGULAR ± ---°	SEE CHART	MOLEX INCORPORATED DOCUMENT NO. SD-76011-001		SHEET NO. 2 OF 3															

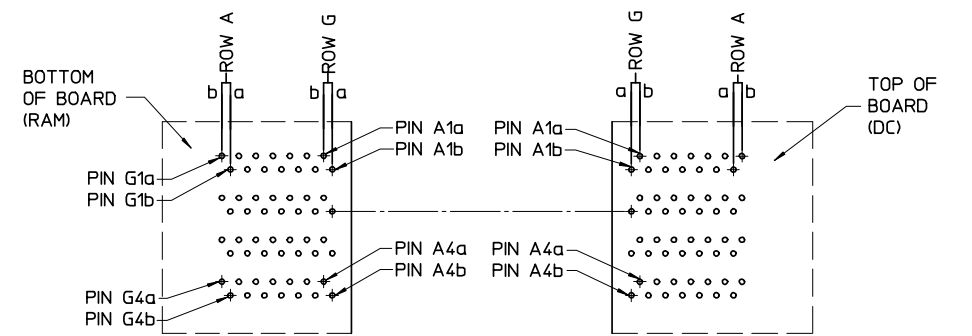
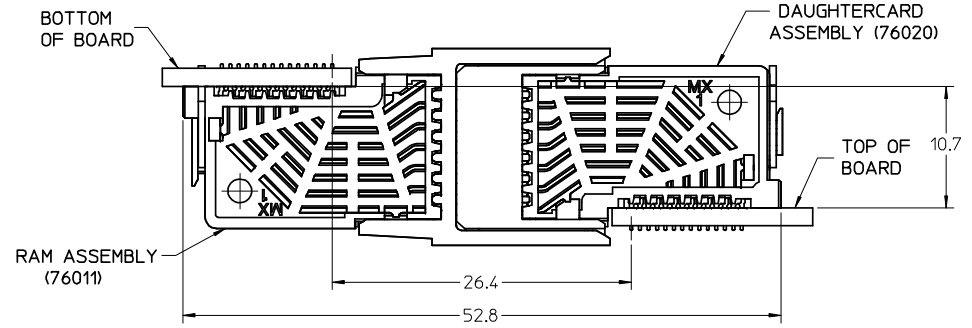
COPLANAR APPLICATION



COPLANAR MATED SIGNAL PATHS

RAM PIN A4b.....	DC PIN A1a
RAM PIN A4a.....	DC PIN A1b
RAM PIN A1b.....	DC PIN A4a
RAM PIN A1a.....	DC PIN A4b

INVERTED APPLICATION



INVERTED MATED SIGNAL PATHS

RAM PIN G1a.....	DC PIN A1a
RAM PIN G1b.....	DC PIN A1b
RAM PIN G4a.....	DC PIN A4a
RAM PIN G4b.....	DC PIN A4b

SEE SHEET 1 EC NO: UCP2008-2982 DRWNG: STEWART 2008/06/11 CHKD: TELO 2008/06/11 APPR: BINGHAM 2008/06/11	QUALITY SYMBOLS ▽=0 ▽=0	GENERAL TOLERANCES (UNLESS SPECIFIED) <table border="1"> <tr> <th></th> <th>mm</th> <th>INCH</th> </tr> <tr> <td>4 PLACES</td> <td>± ---</td> <td>± ---</td> </tr> <tr> <td>3 PLACES</td> <td>± ---</td> <td>± ---</td> </tr> <tr> <td>2 PLACES</td> <td>± 0.25</td> <td>± ---</td> </tr> <tr> <td>1 PLACE</td> <td>± 0.13</td> <td>± ---</td> </tr> </table>		mm	INCH	4 PLACES	± ---	± ---	3 PLACES	± ---	± ---	2 PLACES	± 0.25	± ---	1 PLACE	± 0.13	± ---	DIMENSION STYLE MM ONLY DRAWN BY DATE ELO 2006/11/13 CHECKED BY DATE ELO 2007/02/02 APPROVED BY DATE CB1XLER 2007/02/02	SCALE 4:1 DESIGN UNITS METRIC THIRD ANGLE PROJECTION	TITLE I-TRAC 7-ROW RIGHT ANGLE MALE OPEN ASSEMBLY
		mm	INCH																	
	4 PLACES	± ---	± ---																	
	3 PLACES	± ---	± ---																	
2 PLACES	± 0.25	± ---																		
1 PLACE	± 0.13	± ---																		
DRAFT WHERE APPLICABLE MUST REMAIN WITHIN DIMENSIONS	MATERIAL NO. SEE SHEET 2	DOCUMENT NO. SD-76011-001	SHEET NO. 3 OF 3																	
THIS DRAWING CONTAINS INFORMATION THAT IS PROPRIETARY TO MOLEX INCORPORATED AND SHOULD NOT BE USED WITHOUT WRITTEN PERMISSION																				
MOLEX INCORPORATED																				